

# MERE ZOOM- MODEL: ATL36SLM

## W Track Luminaires

WAC ARCHITECTURAL

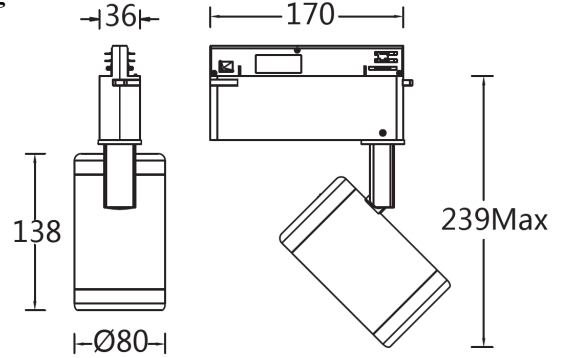
Project:

Type:

Product Image



Line Drawing



### Product Description

MERE Zoom features a modular electronic zoom design and is compatible with W-track systems. The luminaire has a clean, compact profile with no visible heat sink and a die-cast aluminum housing. It utilizes a COB light engine and allows APP-based beam zooming and stretching, along with tool-free, field-changeable optical accessories. Suitable for museums, galleries, commercial spaces, hospitality, and retail applications.

### Product Features

- Body Material: Aluminum alloy die-casting
- Optical System: Lens+Reflector
- Finish: Static electricity powder coating, BK/WT
- Adjustable Angle: Horizontal 0~365°, Vertical 0-90°
- Accessories: see attachment
- IP Rating: IP20
- Certification: CCC
- Insulation Level: Class I
- Operating Temperature: -20°C~40°C
- Net Weight: 1.0Kg without packing

### Product Specifications

- LED Type: COB
- LED power: 18W
- Source Lm: 2700K: 2030lm 3000K: 2120lm  
3500K: 2230lm 4000K: 2330lm
- LED Lifetime: >50000h-L70 / B10-Ta25°C(LM-80/TM-21)
- CCT/CRI: 2700K / 3000K / 3500K / 4000K, Ra90 或 Ra97(>Ra95)
- SDCM: 2 SDCM
- Inpute: 220V~240V AC / 50Hz
- Dimming: Wireless APP control (compatibility testing with the project site is required prior to implementation)

### Ordering model

Model	LED	Dimming	Beam	CRI	CCT	Finish
ATL36S MERE ZOOM	LM18 COB 18W	B APP	Z ZOOM	9 90 A 97	27 2700K 30 3000K 35 3500K 40 4000K CC 2700-6000K	WT White BK Black
TL36S	LM18	B	Z	9	30	WT

Sample: ATL36SLM18-BZ930WT

WAC Lighting  
www.waclighting.com (US)  
www.waclighting.net (International)

Headquarters  
44 Harbor Park Drive • Port Washington, NY  
Phone (516) 515.5000 • Fax (516) 515.5050

WAC GROUP  
TECHNOLOGY ILLUMINATED

# MERE ZOOM- MODEL: ATL38SLM

## W Track Luminaires

WAC ARCHITECTURAL

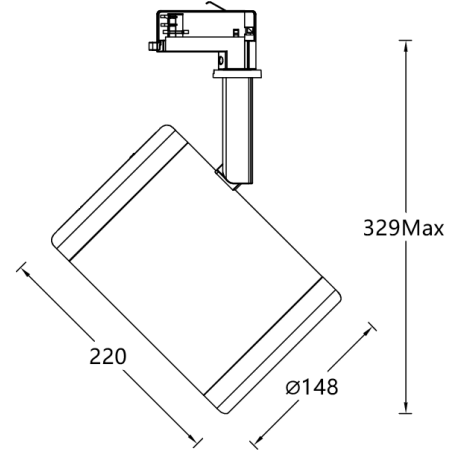
Project:

Type:

Product Image



Line Drawing



### Product Description

MERE Zoom features a modular electronic zoom design and is compatible with W-track systems. The luminaire has a clean, compact profile with no visible heat sink and a die-cast aluminum housing. It utilizes a COB light engine and allows APP-based beam zooming and stretching, along with tool-free, field-changeable optical accessories. Suitable for museums, galleries, commercial spaces, hospitality, and retail applications.

### Product Features

- Body Material: Aluminum alloy die-casting
- Optical System: Lens+Reflector
- Finish: Static electricity powder coating, BK/WT
- Adjustable Angle: Horizontal 0~365°, Vertical 0-90°
- Accessories: see attachment
- IP Rating: IP20
- Certification: CCC
- Insulation Level: Class I
- Operating Temperature: -20°C~40°C
- Net Weight: 3.9Kg without packing

### Product Specifications

- LED Type: COB
- LED power: 38W or 48W
- Source Lm: 2700K: 3800lm (38W) / 4800lm (48W)  
3000K: 3950lm (38W) / 5000lm (48W)  
3500K: 4100lm (38W) / 5150lm (48W)  
4000K: 4300lm (38W) / 5250lm (48W)
- LED Lifetime: >50000h-L70 / B10-Ta25°C(LM-80/TM-21)
- CCT/CRI: 2700K / 3000K / 3500K / 4000K, Ra90 or Ra97(>Ra95)
- SDCM: 2 SDCM
- Input: 220V~240V AC / 50Hz
- Dimming: Wireless APP control (compatibility testing with the project site is required prior to implementation)

### Ordering model

Model	LED	Dimming	Beam	CRI	CCT	Finish
ATL38S MERE	LM38 COB 38W	B APP	Z ZOOM	9 90 A 97	27 2700K	WT White BK Black
					30 3000K	
	35 3500K					
	40 4000K					
	CC 2700-6000K					
ATL38S	LM48	B	Z	9	30	WT

Sample: ATL38SLM48-BZ930WT

WAC Lighting  
www.waclighting.com (US)  
www.waclighting.net (International)

Headquarters  
44 Harbor Park Drive • Port Washington, NY  
Phone (516) 515.5000 • Fax (516) 515.5050

WAC GROUP  
TECHNOLOGY ILLUMINATED